



sargent &
greenleaf™



Atlas Electronic Safe Lock

Model 1004

S&G Atlas Electronic Safe Lock Model 1004

AN AFFORDABLE, PURPOSE-BUILT LOCK FROM THE MOST TRUSTED NAME IN SECURITY.

Choose the expertise and excellence that governments, banks, and businesses worldwide have trusted for more than 150 years. **Protect your safe with Sargent & Greenleaf's two-user Atlas Electronic Safe lock Model 1004.**



FEATURES:

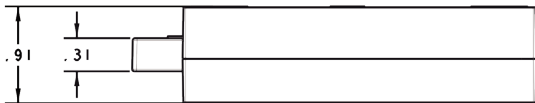
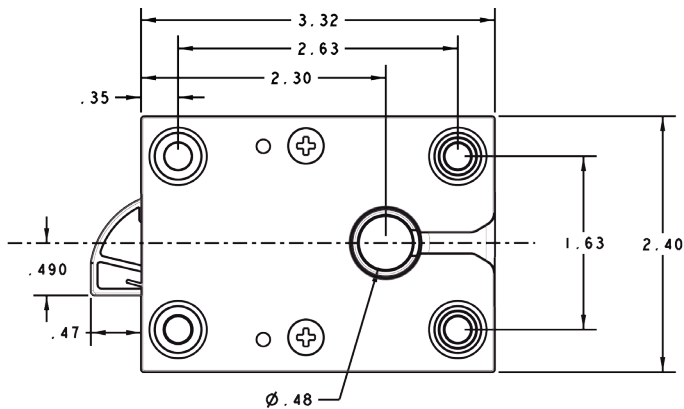
- **HIGH SECURITY:** The AutoSecure lock withstands extreme pressure and delivers fail-safe security.
- **RELIABLE PERFORMANCE:** The Atlas lock delivers durability for the long haul, reducing the risk of costly repairs and the hassle of frequent maintenance.
- Updated tooling and cutting-edge manufacturing insure long-lasting, reliable protection.
- Redesigned, reengineered and tested to a minimum of 10,000 cycles.
- **STRESS-FREE WARRANTY:** We stand behind the construction and functionality of the Atlas lock with a one-year warranty.
- **SIMPLE INSTALLATION:** The Atlas lock fits the standard Sargent & Greenleaf Magic Module footprint, is field programmable, and is universally handed for easy right hand, left hand, vertical up, or vertical down mounting.

Learn more at www.sargentandgreenleaf.com.

Protecting assets from high-security government sites to banks to businesses for more than 150 years, Sargent & Greenleaf continues to set the standard for innovation, security, quality, and trust.

TRUSTED SECURITY AND RELIABLE PERFORMANCE

Sargent & Greenleaf's Atlas Electronic Safe Lock Model 1004 delivers the performance and security you expect in a user-friendly two-user format.



PART NUMBERS

- 1004-200C** LOCK W/CABLE STD HDW I - NO MRC
- 1004-200M** LOCK W/CABLE MET HWR I - NO MRC
- 1004-201C** LOCK W/ CABLE STD SCREW B - NO MRC
- 1004-201M** LOCK W/ CABLE MET SCREW B - NO MRC
- 1004-202** LOCK W/CBL QK MNT KP BR CH KIT - NO MRC
- 1004-203** LOCK W/CBL, KP BLK PLAT KIT - NO MRC
- 1004-204** LOCK W/CBL, KP MATTE BLK KIT - NO MRC

www.sargentandgreenleaf.com

Corporate Headquarters: One Security Drive • Nicholasville, Kentucky 40356 • USA • Tel. 859-885-9411, Fax 859-887-2057

Except as otherwise noted, all trademarks in this data sheet are trademarks of Sargent and Greenleaf in the U.S. and elsewhere. ® denotes a trademark registered with the U.S. Patent and Trademark Office and/or other Trademark offices around the world.

Patents Pending.

CERTIFICATIONS

- UL Type 1

SPECIFICATIONS CODES

- One master code
- One user code
- One million codes to choose from
- Field programmable from keypad

INSTALLATION

- Easily mounted Quickmount keypad
- Universally handed
- Standard S & G Magic Module footprint

OPERATION

- Choose STAR or Basic operating procedures
- Penalty lockout after five failed attempts
- Tested up to 3,000 openings on a single 9-volt alkaline battery
- Low battery signal

SPINBLOCKER LOCK

- AutoSecure, automatic secure mechanism
- Automatically locks when boltwork fully extended
- Lock bolt withstands 225 lbs (1000 newtons) of bolt end pressure
- Compatible with a multitude of S&G keypads

ADDITIONAL FEATURES

- Bright Chrome, Black Platinum or Matte Black keypad finishes
- Lighted Keypad
- 1-year warranty

