



S&G 2890B Models are offered in 6 Types:

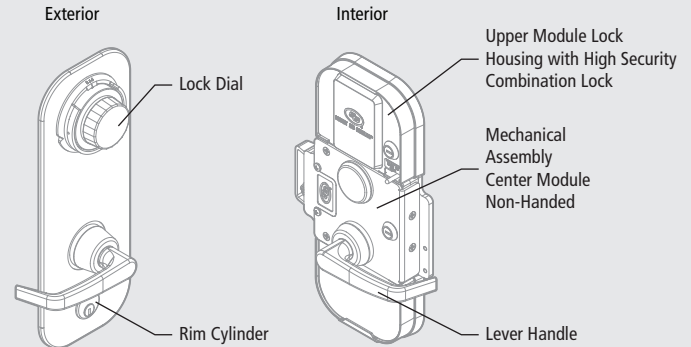
- Type I - Pedestrian Door Preassembled Lock (Mechanical Access Control)
- Type II - Pedestrian Door Preassembled Lock (Electronic Access Control)
- Type III - Pedestrian Door Lock Assembly Panic (Mechanical Access Control)
- Type IV - Pedestrian Door Lock Assembly Panic (Electronic Access Control)
- Type V - Auxiliary Deadbolt
- Type VI - Auxiliary Deadbolt

2890B Configuration Type(s) - Various features & operations will be shown pertaining to all groups. Exceptions are listed for each specific Type.

Note: Each 2890B Configuration will be operated by a High Security Combination Lock. Please refer to your specific combination lock for operation and combination setting procedures.

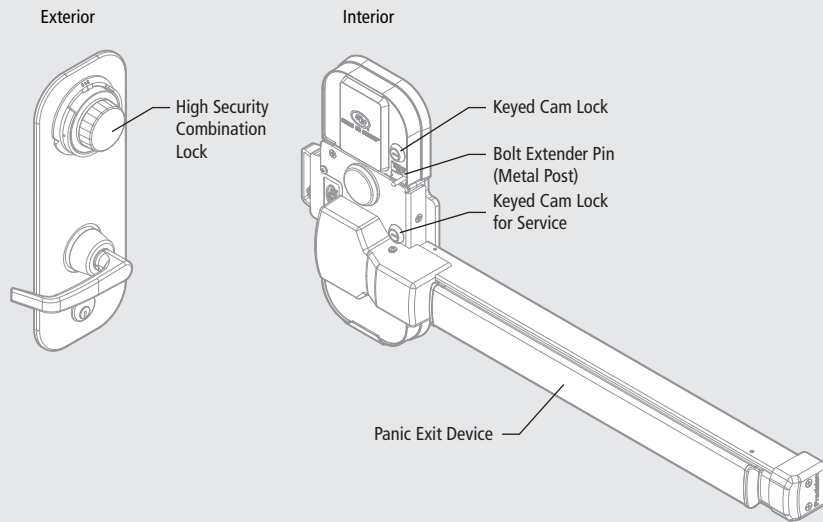
PDPL - Pedestrian Door Preassembled Lock (e.g. Offices)

- Type I (Mechanical Access Control)
- Type II (Electronic Access Control)



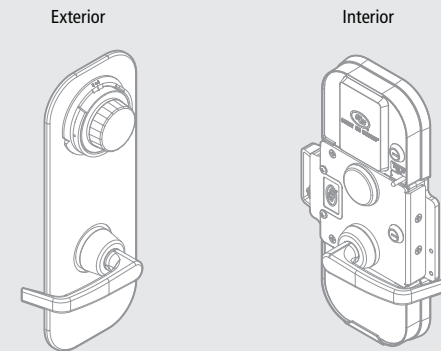
PDLAP - Pedestrian Door Lock Assembly Panic (e.g. Assembly Rooms, Labs, Centers)

- Type III (Mechanical Access Control)
- Type IV (Electronic Access Control)



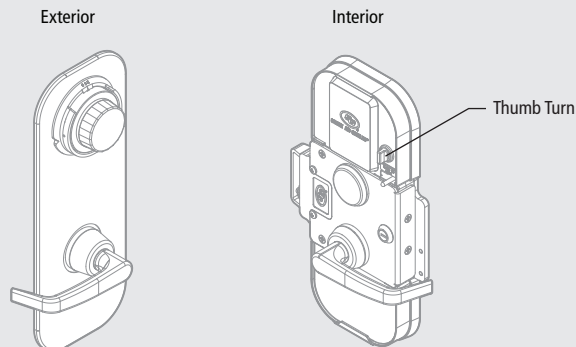
ADB - Auxiliary Deadbolt (e.g. Closets)

- Type V



ADB - Auxiliary Deadbolt (e.g. Closets)

- Type VI



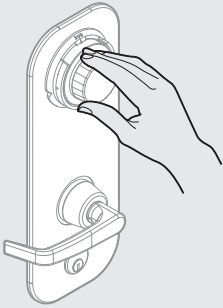
Nomenclature:

- Access Control Housing -** Secondary locking device
- Lever Handle -** Mechanism used to open the door to enter secure area
- Exterior Lever Handle -** Mechanism used to open the door to enter secure area
- High Security Combination Lock -** Primary locking device
- Interior Center Cover Cam Lock -** Keyed cam lock used to lock center module
- Bolt Extender Pin -** Lever to extend the lock bolt
- Panic Exit Device -** Push bar mechanism used to open the door to exit secure area
- RIM Cylinder -** Operation unit to unlock the access control module
- Upper Cover Cam Lock -** Keyed cam lock used to block lock bolt from being extended

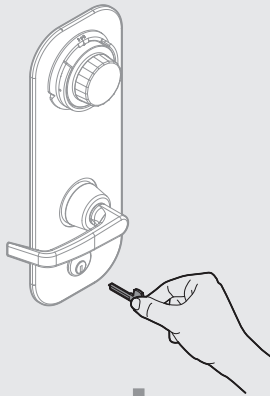
Entry Operation: Type I-IV 2890B Lock - Mechanical Access

The 2890B lock uses a High Security Combination Lock as its primary locking mechanism.
A secondary RIM Cylinder is used for further access control into the secured area.

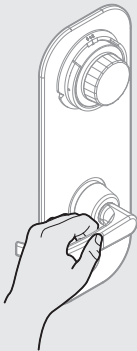
- 1 To gain access to the secure area, use lock combination to dial the high security lock to the open position. Fully retract lock bolt. Follow the lock manufacturers operating instructions to open the lock.



- 2 Insert key into rim cylinder and turn to unlock the Access Control Mechanism.



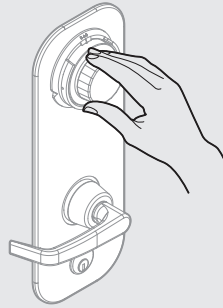
- 3 Turn the lever handle to retract the 2890B bolt and open door.



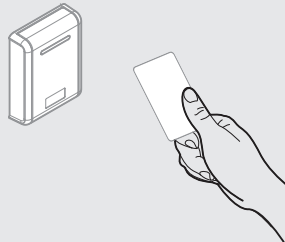
Entry Operation: Type I-IV 2890B Lock - Electronic Access

The 2890B lock uses a High Security Combination Lock as its primary locking mechanism.
The secondary RIM Cylinder can be used to override the Electronic Access Control.

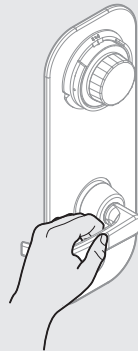
- 1 To gain access to the secure area, use lock combination to dial the high security lock to the open position. Fully retract lock bolt. Follow the lock manufacturers operating instructions to open the lock.



- 2 Use personnel card to access the electronic access badge reader (not included with 2890B).



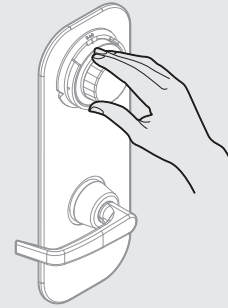
- 3 Turn the lever handle to retract the 2890B bolt and open door.



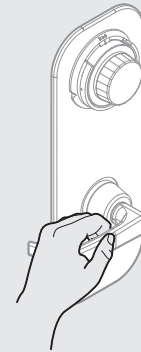
Entry Operation: Type V-VI 2890B Lock -

The 2890B lock uses a High Security Combination Lock as its primary locking mechanism.

- 1 To gain access to the secure area, use lock combination to dial the high security lock to the open position. Fully retract lock bolt. Follow the lock manufacturers operating instructions to open the lock.



- 2 Turn the lever handle to retract the 2890B bolt and open door.

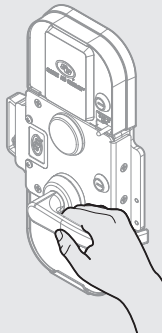


Exit Operation:

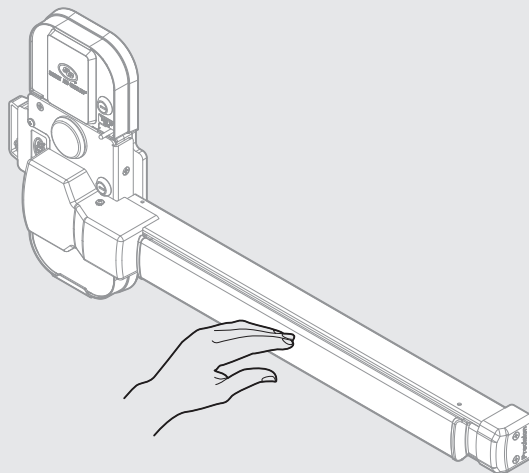
2890B Lock - Mechanical Access

There are two exit options for the interior side of the 2890B lock: Lever Handle or Panic Exit Device. The lever handle is used for low occupancy spaces such as personal offices. The panic exit device is used for higher occupancy spaces such as meeting rooms, or auditoriums. Both of these exit options open the 2890B lock with a single motion regardless of the state of the security devices.

Lever Handle

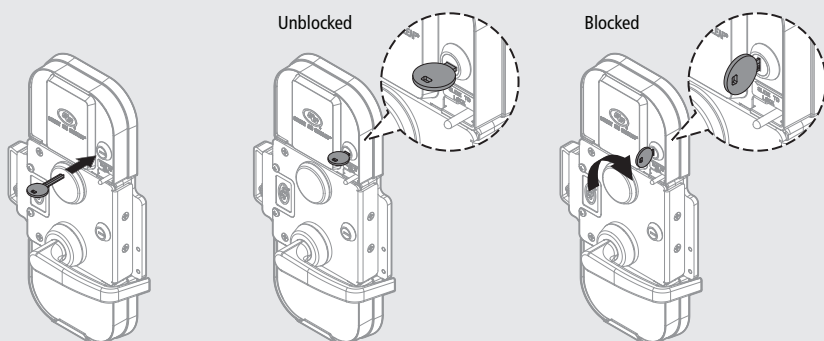


Panic Exit Device



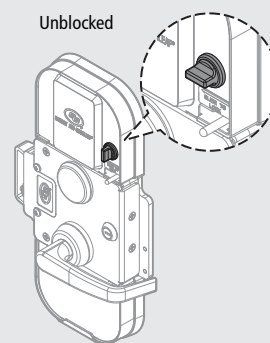
Keyed Cam Lock - Type I-V

This lock is used to prevent the combination lock from being inadvertently returned to the secure position after being opened by the area authority. Turning this lock clockwise blocks the combination lock bolt so the dial cannot be spun off. This lock must be turned back counterclockwise before the space can be resecured.



Thumb Turn Lock - Type VI


This lock is used to prevent the combination lock from being inadvertently returned to the secure position after being opened by the area authority. Turning this lock clockwise blocks the combination lock bolt so the dial cannot be spun off. This lock must be turned back counterclockwise before the space can be resecured.

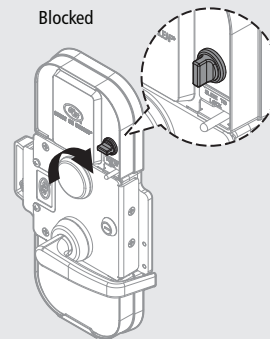
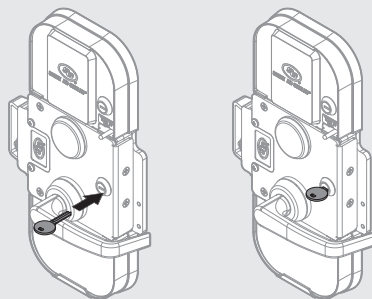


Keyed Cam Lock - Center Module

Type I-VI

This lock on the inside cover plate of the center module is used when the 2890B lock must be disassembled for accessing the high security combination lock, or to gain access to the electronics for access control configuration.


 Keep this key secured at all times in order to prevent tampering of the security elements of the 2890B and high security combination lock.

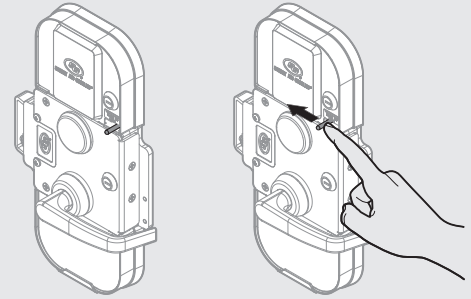


Bolt Extender Pin (Metal Post) -

Type I-VI

This convenience feature is used to move the combination lock bolt from the unsecured position to the secured position from within the room. Most combination locks require the operator to exit the secure space and spin the dial to resecure the bolt. By sliding the pin, the operator can resecure the combination lock from inside the space. The pin is only functional on the S&G 2740B lock.

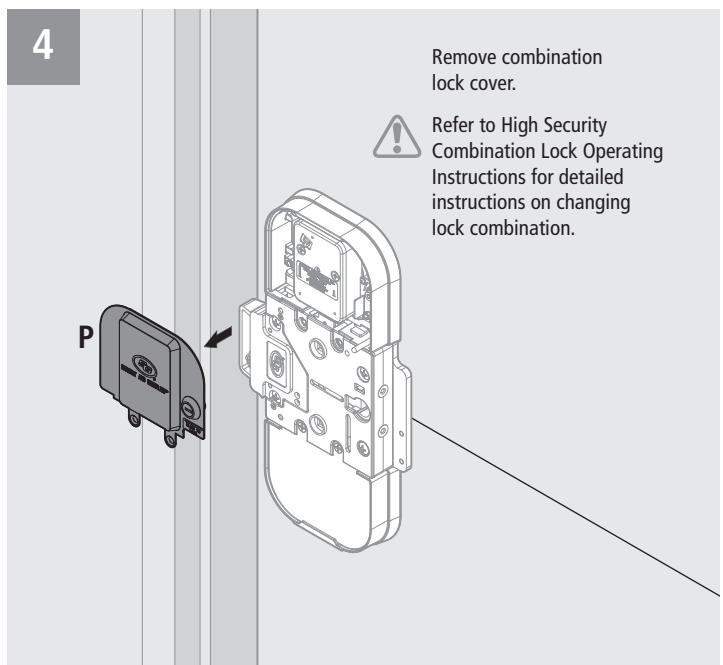
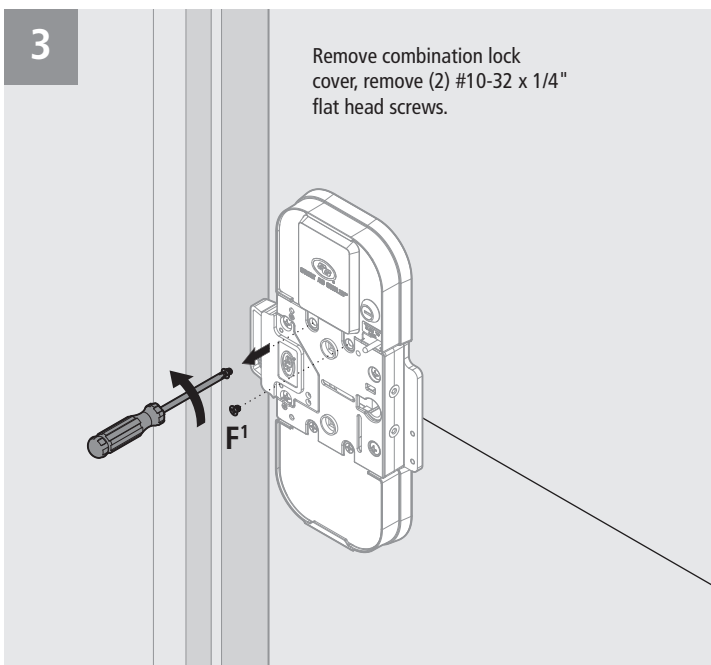
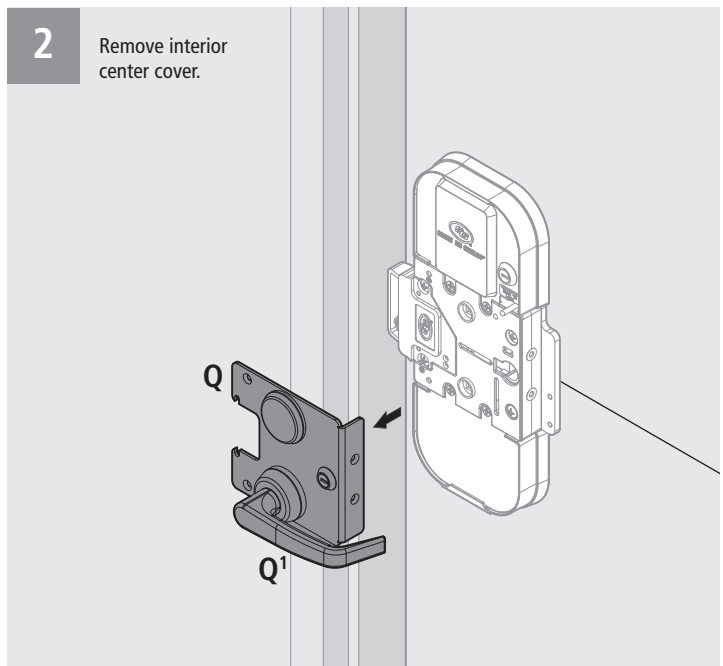
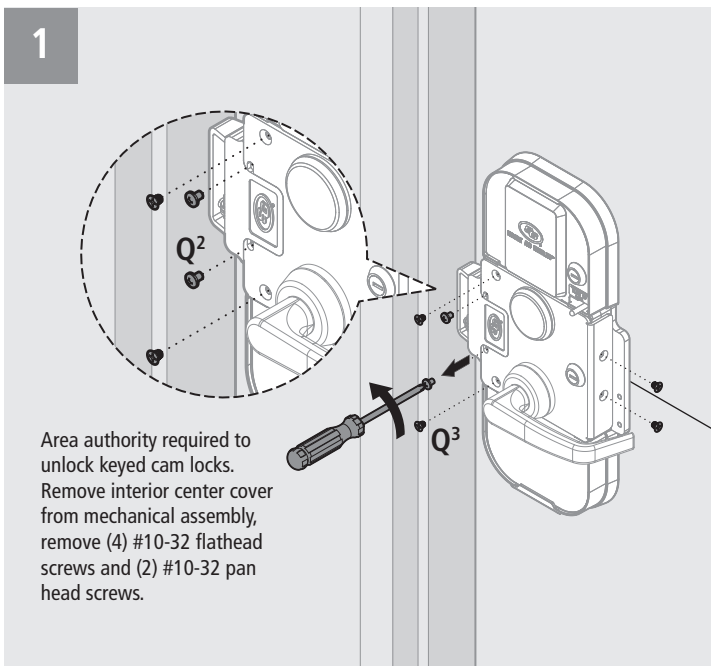
 This feature is not intended to guarantee the securing of the lock bolt. It is recommended that the operator always ensure the lock has been secured after exiting the room by dialing the lock to the right (clockwise) several turns to ensure the dial does not stop. If the dial stops, the bolt is retracted, and the dial should now be turned to the left (counterclockwise) two full rotations in order to ensure the bolt is extended.



Combination Lock - Change Procedure

Type I, II, V, & VI

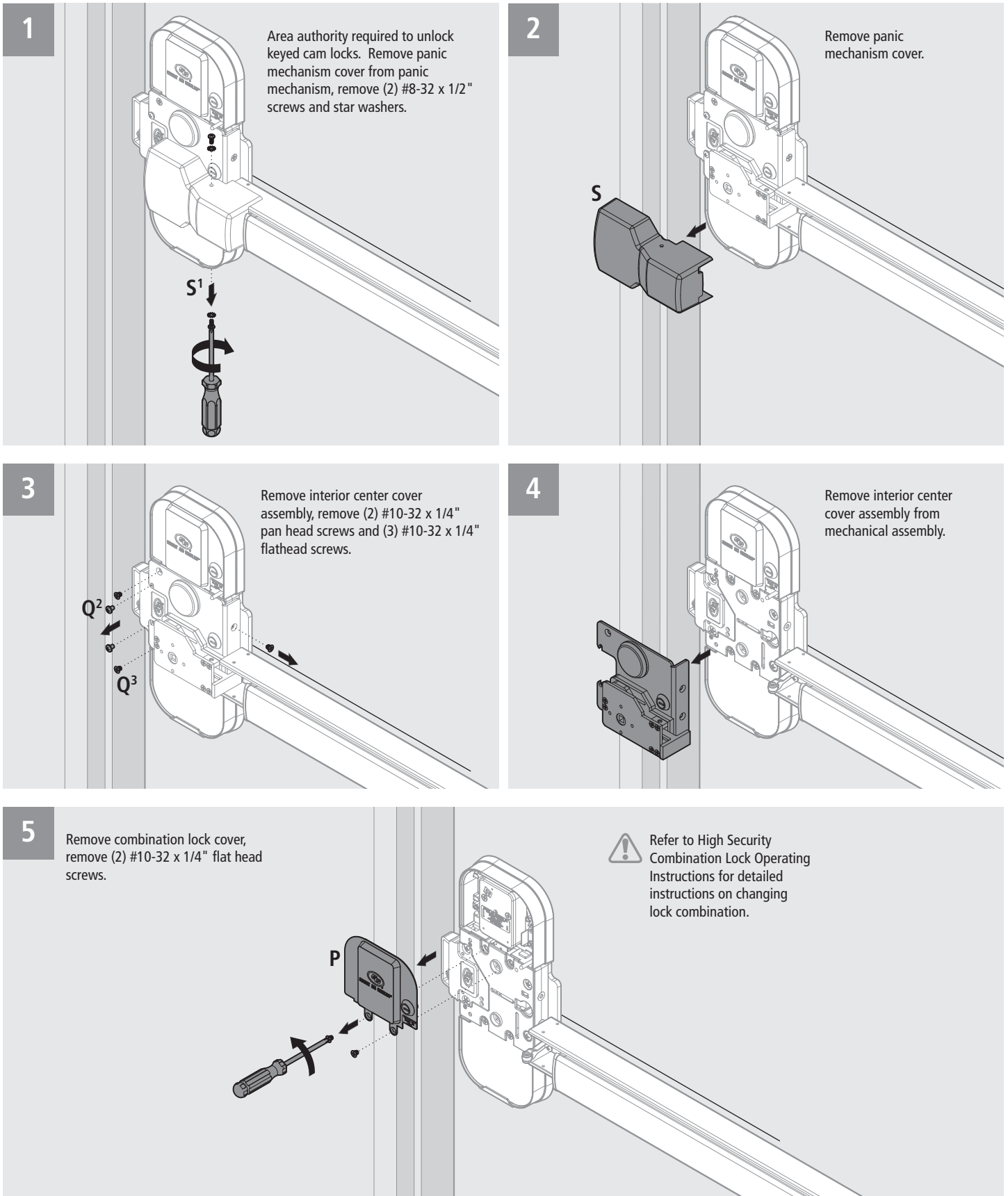
Following these steps will allow access to the High Security Combination Lock. Once the lock is accessible, please follow your lock manufacturer's operating instructions for changing the lock combination. After changing the combination, follow the manufacturer's combination verification procedure. Once the combination has been reviewed, reverse the steps to reinstall the covers.



Combination Lock - Change Procedure

Type III & IV

Following these steps will allow access to the High Security Combination Lock. Once the lock is accessible, please follow your lock manufacturer's operating instructions for changing the lock combination. After changing the combination, follow the manufacturer's combination verification procedure. Once the combination has been reviewed, reverse the steps to reinstall the covers.



Troubleshooting:

Door does not secure when closed -

Verify that the lock in the upper module is not in the blocked position.
Reset the trip mechanism (see installation instructions).

Door cannot be opened -

Verify that the user has proper entry credential.
Refer to High Security Combination Lock Instructions for opening procedure.

Exterior handle not functional, over-torqued -

The S&G 2890B is equipped with a torque limiting exterior lever handle; in the event that excessive torque is used in attempt to open the lock while locked, a clutch in the handle will slip and the handle will become inoperative. In this state the handle will be angled approximately 45 degrees from the horizontal and must be rotated in the reverse direction to restore normal operation.

For assistance or warranty information:
Call 1-859-885-9411 or visit
www.sargentandgreenleaf.com

Si desea ayuda o información sobre la garantía:
llame al 1-859-885-9411 o visite
www.sargentandgreenleaf.com

Pour de l'aide ou des informations sur la garantie:
Veuillez appeler le 1-859-885-9411 ou visiter
www.sargentandgreenleaf.com

⚠ Warning: This Manufacturer advises that no lock can provide complete security by itself. This lock may be defeated by forcible or technical means, or evaded by entry elsewhere on the property. No lock can substitute for caution, awareness of your environment, and common sense. Builder's hardware is available in multiple performance grades to suit the application. In order to enhance security and reduce risk, you should consult a qualified locksmith or other security professional.

⚠ Advertencia: Este fabricante ha de saber que no hay cerraduras que puedan proporcionar seguridad completa por sí mismas. Esta cerradura puede fallar forzandola o utilizando medios técnicos o entrando por otra parte del edificio. No hay cerraduras que puedan sustituir precaución, estar al tanto de su entorno y sentido común. Este fabricante también ofrece cerraduras de diferentes grados y rendimientos para ajustarse a su aplicación. Para mejorar la seguridad y reducir riesgos, usted debe consultar con un cerrajero especializado u otro profesional de seguridad.

⚠ Avertissement: Le fabricant tient à vous aviser qu'aucun verrou ne peut à lui seul offrir une sécurité complète. Ce verrou peut être mis hors d'état par la force ou des moyens techniques ou être évité par l'utilisation d'une autre entrée sur la propriété. Aucun verrou ne peut remplacer la surveillance de votre environnement et le bon sens. La quincaillerie pour le constructeur est offerte selon différents grades de performance pour différentes applications. Afin d'augmenter la sécurité et de réduire le risque, vous devriez consulter un serrurier qualifié ou un autre professionnel de la sécurité.