



**7** Using a pencil or sharp object, punch hole in exterior template through hole C.

**8** Through the opening, align the reference through-hole centerlines to hole C previously drilled through the door. Tape template to door once properly aligned and leveled.

**9** Center punch all holes on exterior template.

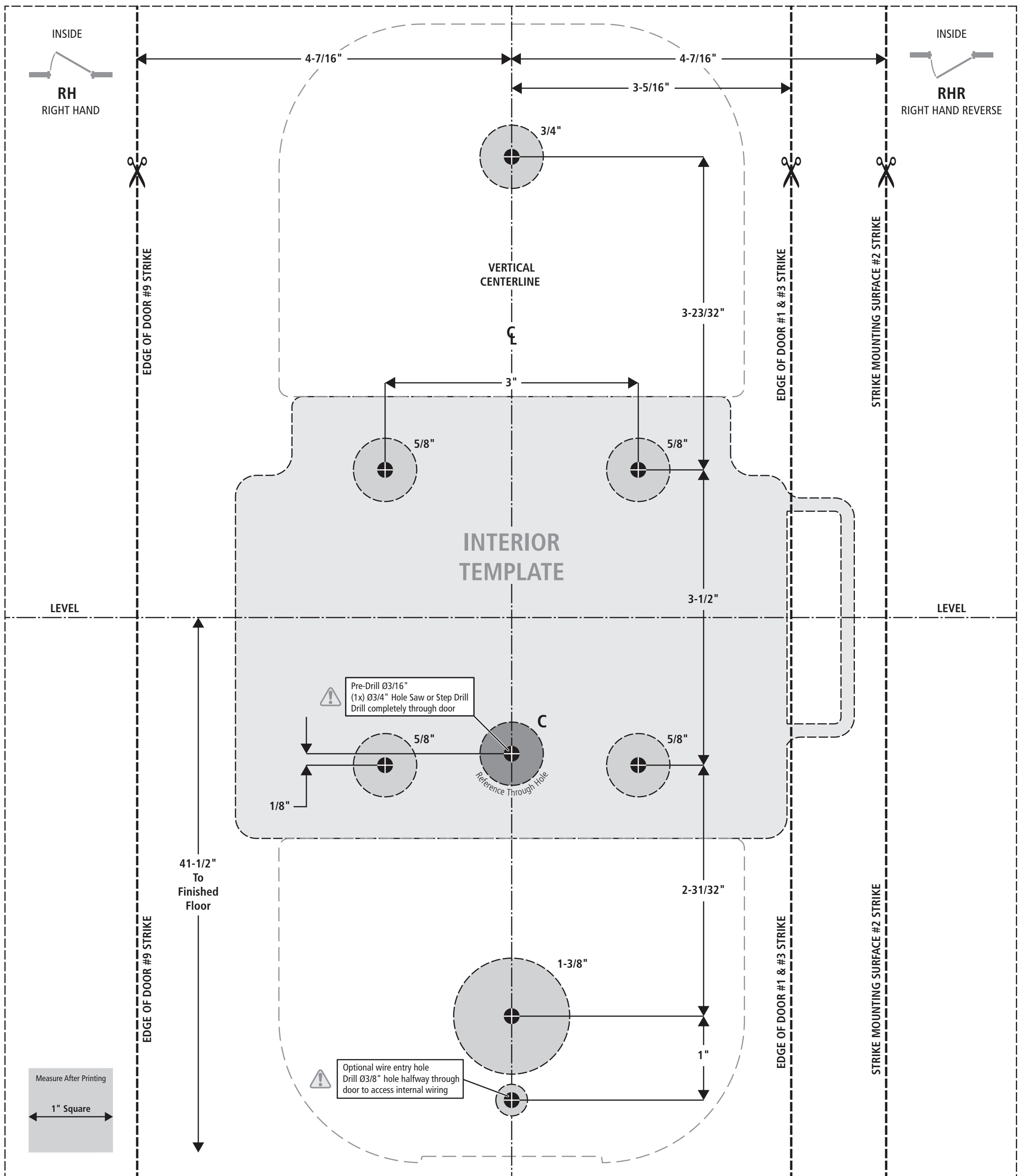
**10** Remove template. Pre-Drill holes halfway through door.

**11** Using a hole saw, drill holes to size indicated on template on both interior & exterior of door, halfway through door. Drill hole B (1x) Ø1-3/8" on both interior & exterior of door, halfway through door.

**12** These new holes should be through holes when finished drilling and should align with holes drilled from opposite side.

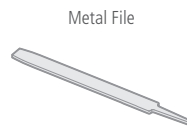
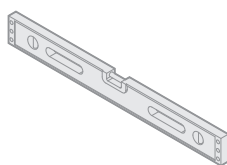
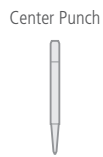
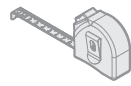
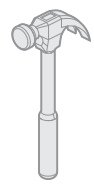
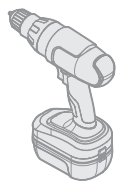
On heavy gage metal doors or doors with internal reinforcements a step drill can be more effective.

Proceed to installation instructions.



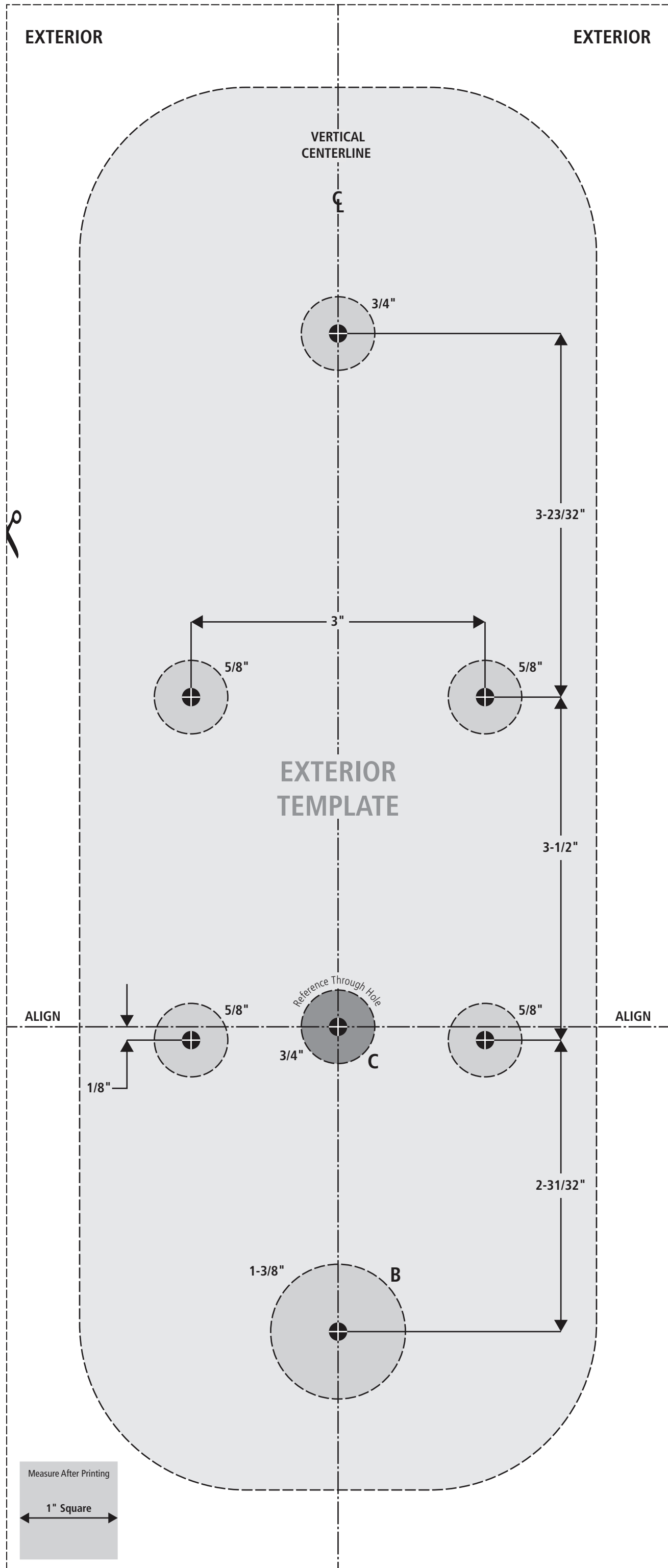
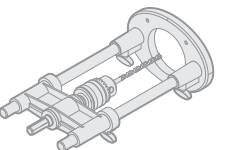


Tools Needed



Tools Recommended

Step Drill Bit



**Before you begin:**

The 2890B SCIF-Lock accommodates right-hand and left-hand, in-swing and out-swing doors. A single model can be used for any of these applications. Be sure to order a unit with the correct strike for your particular application.

The 2890B SCIF-Lock should only be mounted on a door that is level, plumb, and square in its frame. The door should be equipped with a properly functioning closer that closes the door smoothly and completely with no assistance. Correct all door deficiencies before proceeding.

The 2890B SCIF-Lock accommodates doors between 1-3/8" to 2" thick.

The 2890B SCIF-Lock is a surface mounted automatic door deadbolt. It has tight mounting tolerances, and is best fitted to doors already installed and properly adjusted in the area where they will be used. Any uncorrected door and/or hardware problems will likely complicate the lock installation and result in unsatisfactory operation.

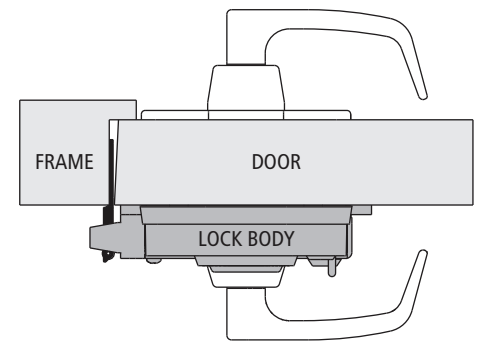
Measure precisely for accurate alignment between inside and outside assembly. Misalignment could cause device malfunction.

Some doors (ex. sound seal) may require special adapters for strike mounting. These should be obtained from the door manufacturer.

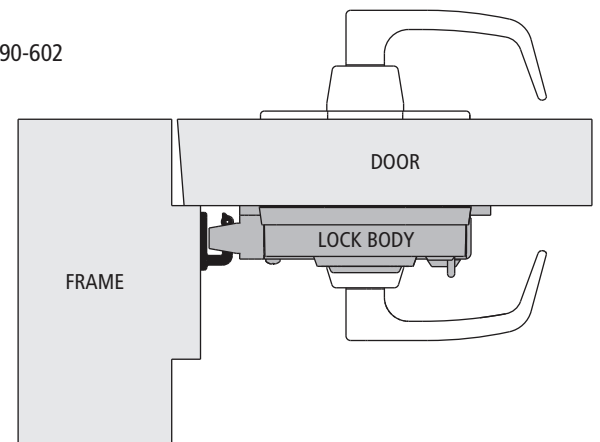
**Strikes**

Select the proper strike for your application. Strikes may/may not be included with your 2890B SCIF-Lock. Strikes are available separately, and may be ordered by the S&G part number listed below.

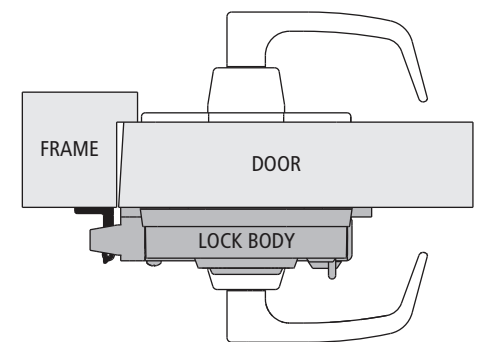
**Strike #1**  
Product No. 2890-601



**Strike #2**  
Product No. 2890-602



**Strike #3**  
Product No. 2890-603



**Strike #9**  
Product No. 2890-609

