



sargent & greenleaf™

SIMPLE OPERATION. UNCOMPROMISED SECURITY.

Motorized Electronic Safe Lock

Model 6120

Sargent and Greenleaf Model 6120 delivers simple, one-touch operation that makes protecting residential gun safes or commercial safes easy and intuitive. With a heritage of excellence built on more than 160 years of trust, Sargent and Greenleaf delivers security you can rely on.

Features

- **Reliable Security:** Advanced electromechanical design that offers an exceptional level of security in an easy-to-operate safe lock.
- **Easy Operation:** Operate the lock in one step—simply enter the code and the lock opens.
- **Peace of Mind:** Model 6120 automatically relocks when the door is closed and boltwork is extended, protecting assets even if the user forgets to engage the lock.
- **Best-In-Class Warranty:** Sargent and Greenleaf backs Model 6120 locks with a leading two-year warranty and exceptional service.



Model 6120: Deadlocking Square Bolt

Protecting assets from high-security government sites to banks to businesses for more than 160 years, S&G continues to set the standard for innovation, security, quality, and trust.

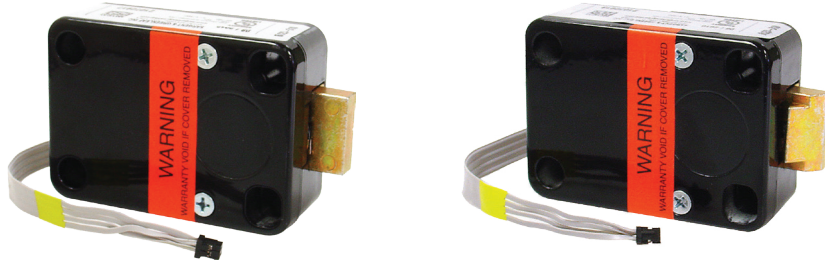
Model 6120 benefits:

- > Single control operating mode
- > Nine codes available: 1 master, 8 user
- > Motor-driven
- > EMP-resistant
- > Time delay 1-9 minutes
- > Penalty lockout



Control and convenience for greater security.

Keypad control combined with easy one-step operation makes the 6120 Safe Lock Series convenient to use and manage – and also highly secure.

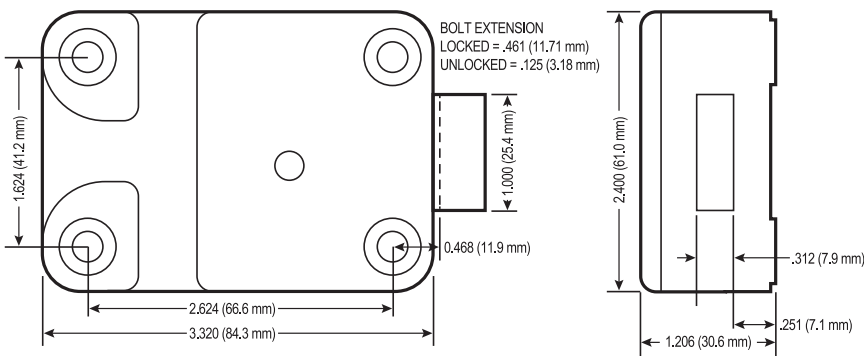


Deadlocking Square Bolt

- Withstands up to 225 lbs. of bolt end pressure for security and durability in boltwork blocking applications

Non-Deadlocking Spring Bolt

- Designed for lightweight and inner compartment doors that require the lock to latch and secure the door



Specifications

Certifications

- UL Type 1
- RoHS Compliant

Code Management

- One master code, eight user codes
- Field programmable from keypad
- One million codes available

Lock Installation

- Standard S & G Magic Module footprint
- Universally handed: left hand, right hand, up, or down mounting

Operation

- Motor-driven bolt operation
- Penalty lockout after four failed attempts
- Time delay up to nine minutes
- Automatic relocking when door is closed and boltwork is thrown
- Tested up to 8,000 openings on two 9V alkaline batteries
- Low battery signal

Keypad Options

- Two-battery keypad
- One-battery keypad
- Low profile keypad
- Choose from a variety of finishes - details available online

Warranty

- Two-year limited warranty

For more information, to find part numbers, or to place an order, visit us online or contact your Sargent and Greenleaf sales representative.

www.SargentAndGreenleaf.com

