

**STRIKES FOR
8497 ELECTRO-MECHANICAL LOCKS**

1. Remove the three cover attaching screws from the back of the lock.
2. Remove the cover.
3. Remove the bolt throw plate noting how the tab fits under the Key By-Pass Lever.
4. Remove the deadlocking stop.
5. Push the solenoid assembly back slightly and lift out the solenoid and deadlocking plate as a unit, being careful not to lose the plunger pin. (See Figure 3).
6. Remove the bolt.

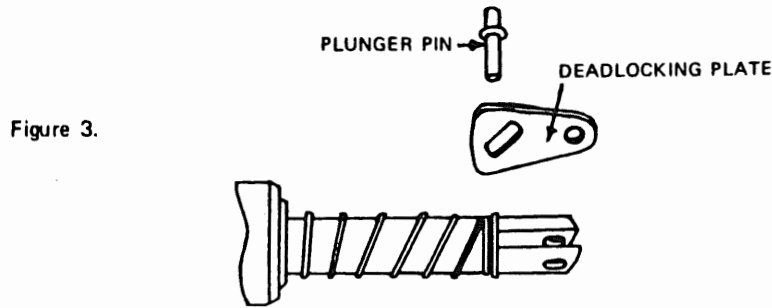


Figure 3.

B. The new bolt should be lubricated lightly before reassembling the lock. (Sargent & Greenleaf recommends using only G-322L grease, a silicone base grease of medium consistency made by General Electric.)

1. Place the new bolt in the exact position as the bolt you removed.
2. Replace the solenoid and deadlocking plate unit so that the plunger pin fits into its slot and is flush with the plate, and the hole in the deadlocking plate fits over the bolt pin. Check to be sure that the plate is not reversed; the straight side goes next to the wall of the case.
3. Replace the deadlocking stop. Carefully position the spring behind the stop.
4. Replace the bolt throw plate so that the higher ridge is to the inside of the post and the tab is under the Key By-pass Lever.
5. Make sure the solenoid wire is to the left side of the mounting post so it will not be pinched. Replace the cover, but do not force it. If it does not fit easily into place, re-check your assembly.
6. Following the instructions given in Steps 1-5 for Inswinging Doors.

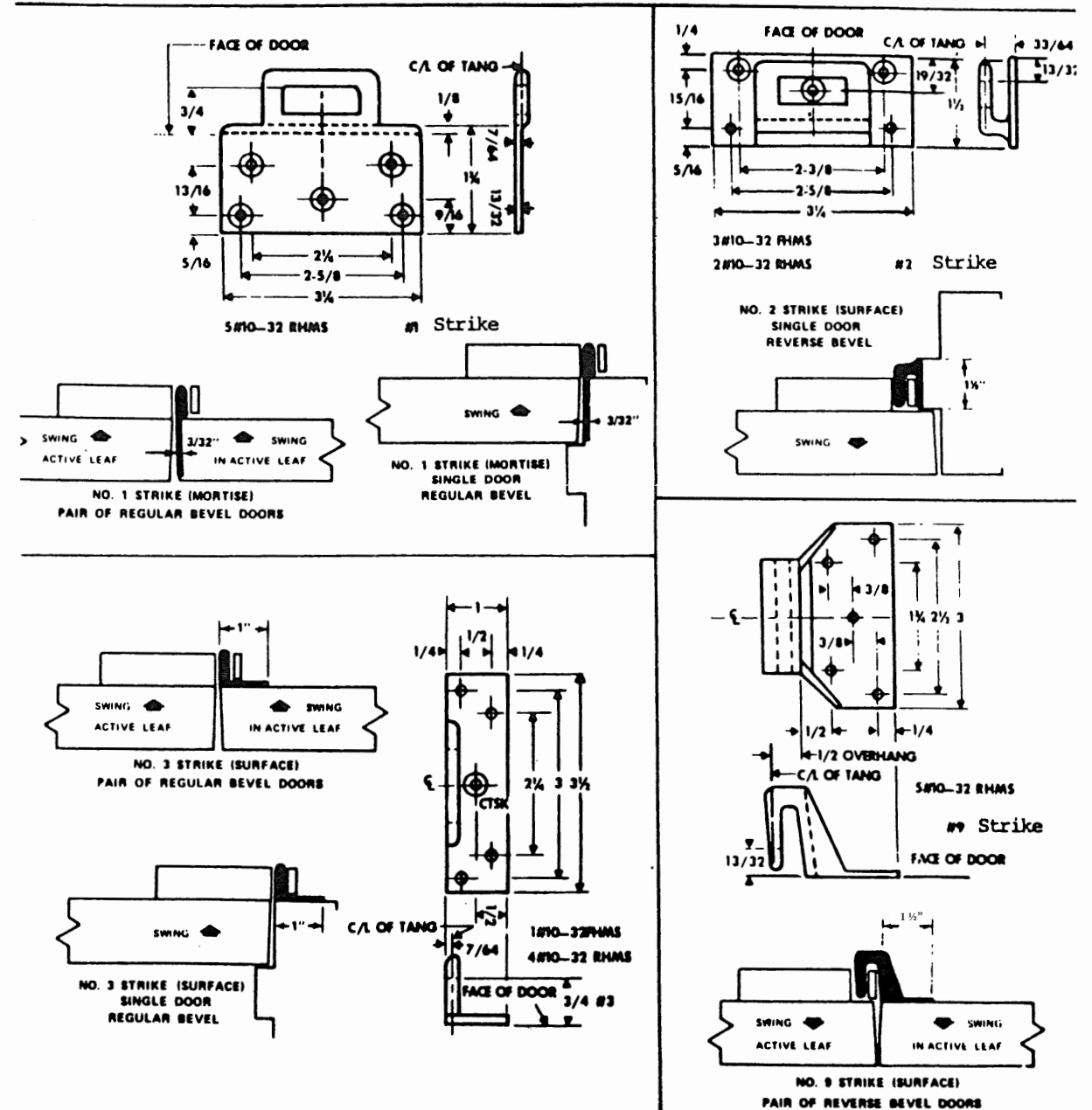
8497 SPECIFICATIONS

Bare Specifications: Coil rating 12 VDC intermittent duty.
DC Coil resistance 1.2 OHMS, factory installed 10 ft. cable.

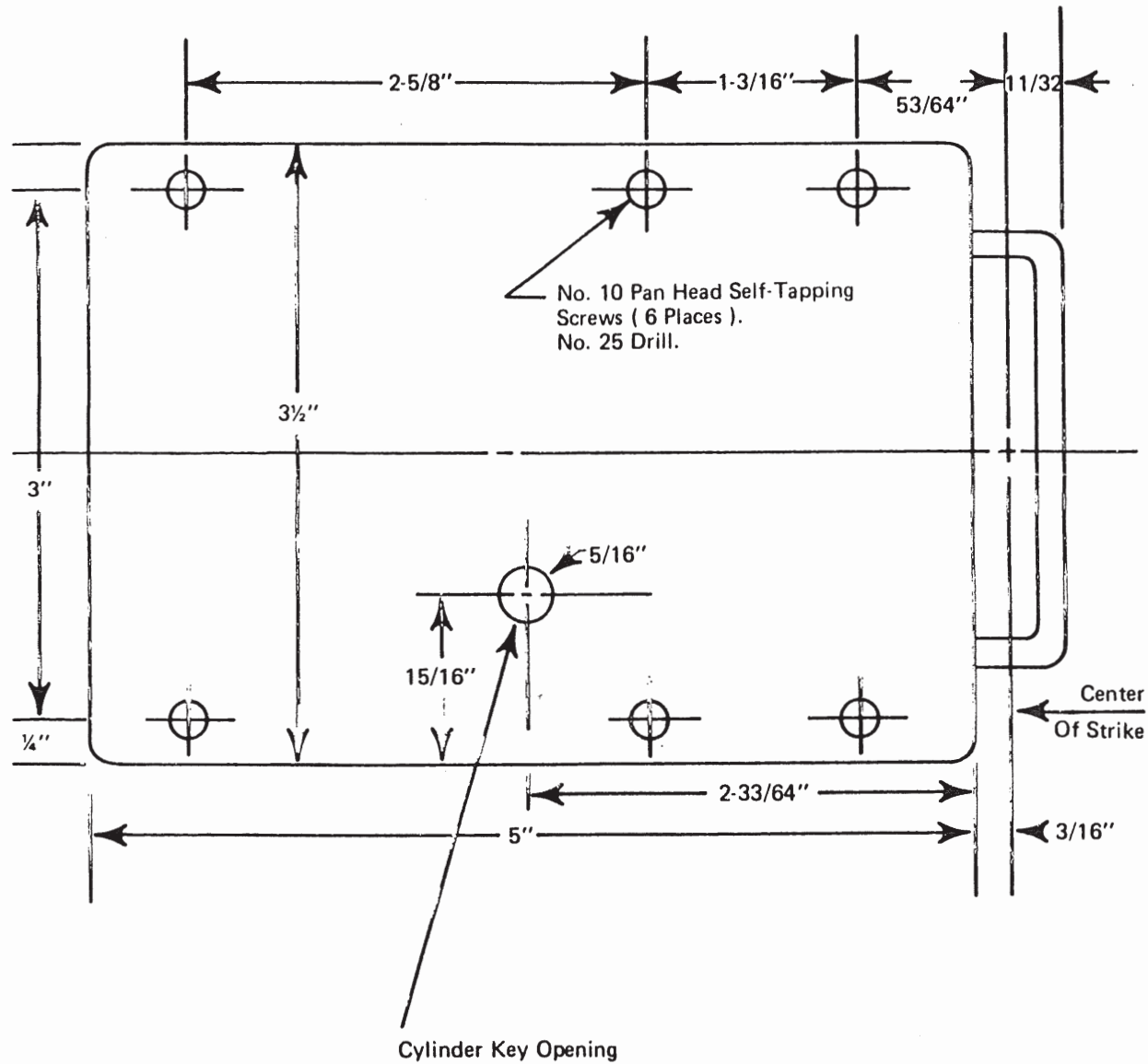
Recommended pull-in currents and duration:
5 amps for 1/2 second to 15 amps for 1 1/2 seconds.

Recommended holding currents and duration:
600 Milliamps or .6 Amps for 60 seconds to 2 Amps for 15 seconds.

NOTE: Long Distance - Use heavy gauge 14 wire or heavier, or not to exceed .2 OHMS cable resistance.



TEMPLATE
8497 ELECTRO-MECHANICAL LOCK



SARGENT AND GREENLEAF®

1 SECURITY DRIVE • NICHOLASVILLE, KENTUCKY 40356

TELEPHONE: (859) 885-9411



THE BRUTE®

INSTALLATION INSTRUCTIONS – 8497 ELECTRO-MECHANICAL LOCK

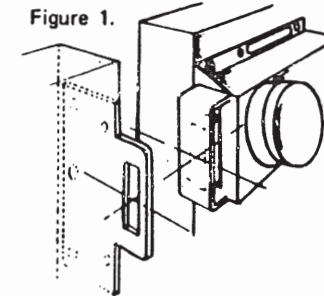
630-222
Rev. 01/06

STRIKE INSTALLATION:

1. Using the strike as a template, locate and mark the position for the strike.
2. Drill and attach with the screws provided with the strike.

LOCK INSTALLATION (For Inswinging Doors):

1. Position the lock template on the inside of the door so that the center of the strike after mounting will correspond exactly with the strike center line marked on the lock template. See Figure 1.
2. Drill from the outside of the door according to the instructions furnished with the cylinder using the template as a guide. **Note:** Template indicates the cylinder key opening, not the center of the cylinder.
3. Attach the cylinder, following the instructions with the cylinder. Use the recessed plate behind the cylinder so that the plate will be flush with the inside surface of the door.
4. Position the lock, fitting the key of the cylinder into the opening in the back of the lock case. **CAUTION:** Be sure to keep the cylinder key level when inserting it into the lock case. If the key is inserted on an angle, binding will occur.
5. Attach the lock with the six attaching screws included with the lock. Using the three extra screws, supports, and cable clamps, run the cable to the input control you are using and attach according to the instructions.



Note:

If the 8497 is to be used with an input other than the S&G Code/tronic or Code/Tronic II, write to the factory to determine whether or not an external driver is necessary.

FOR OUTSWINGING DOORS

For outswinging doors, it is necessary to change the bolt in the lock. To change the bolt, follow these instructions:

- A. Disassemble the lock, per the following instructions, carefully noting the position of each item as you remove it. (See Figure 2).

